

16

NES/J 21 W

Power supply connectors



Power supply plug, angular version, with solder eyes

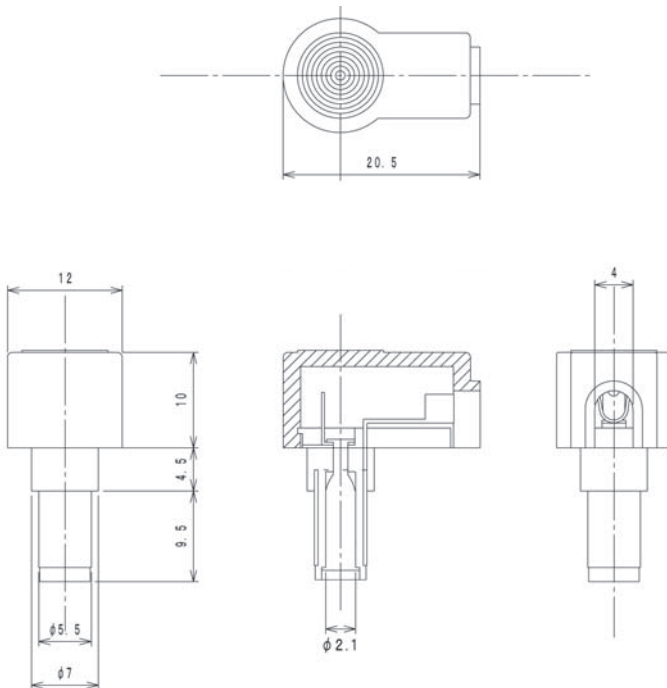
---

State: Active

---

16

NES/J 21 W



#### Environmental conditions

Temperature range -20 °C/+70 °C

#### Materials

Insulating body ABS  
Contact CuZn, nickel-plated  
Housing PE

#### Mechanical data

Outer diameter 5,5 mm  
Inner diameter 2,1 mm

#### Connectable conductors for solder area

Cable diameter 4 mm

#### Electrical data (at T<sub>amb</sub> 20 °C)

Rated current 0,5 A  
Rated voltage 12 V DC  
Rated impulse voltage 500 V/60 s  
Insulation resistance ≥ 100 MΩ

#### Associated products

##### Counterparts

☞ 1610 02	☞ 1613 14	☞ 1613 18
☞ 1614 09	☞ 1614 14	☞ 1614 16
☞ 1614 19	☞ NEB 21 R	☞ NEB/J 21
☞ NEB/J 21 C	☞ NEB/J 21 R	☞ NEK/J 210

16

NES/J 21 W

Designation	Pole Number	PU (Pieces)	MDQ (Pieces)
NES/J 21 W	2	100	500

**Packaging:**

in bulk, in a cardboard box or a plastic bag